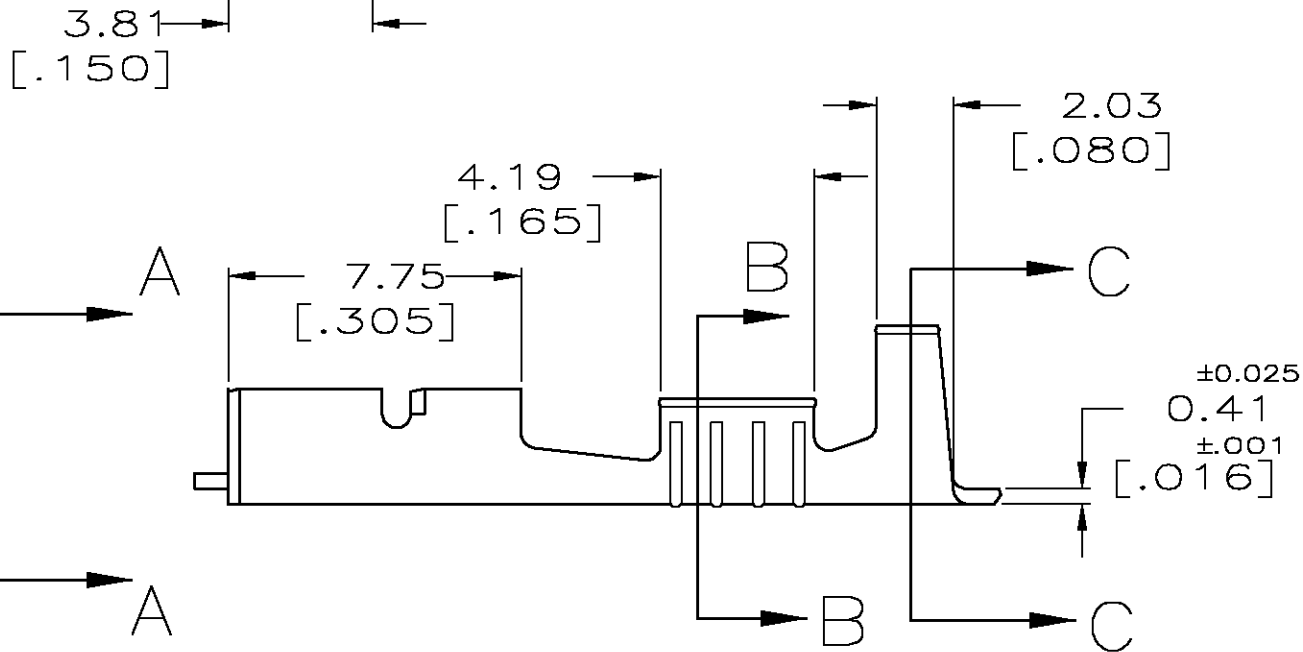
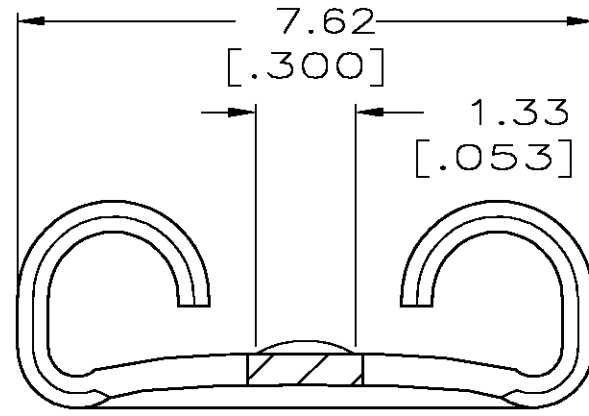
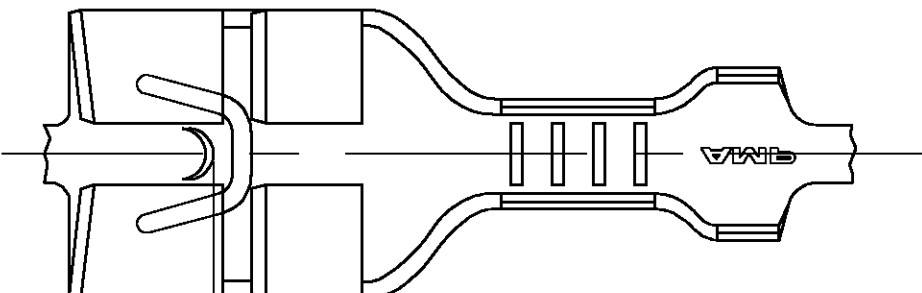


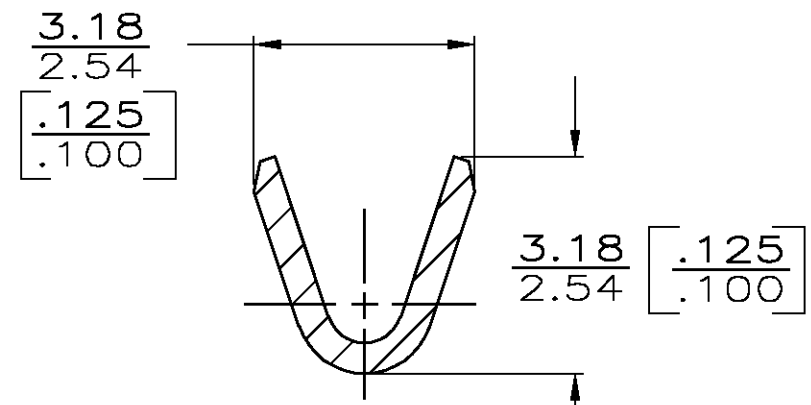
THIS DRAWING IS UNPUBLISHED. RELEASED FOR PUBLICATION  
 © COPYRIGHT BY TYCO ELECTRONICS CORPORATION. ALL RIGHTS RESERVED.

LOC	DIST	REVISIONS					
AF	50	P	LTR	DESCRIPTION	DATE	DWN	APVD
		B		REV PER 0G3A-0419-03	08JUL03	JR	PD

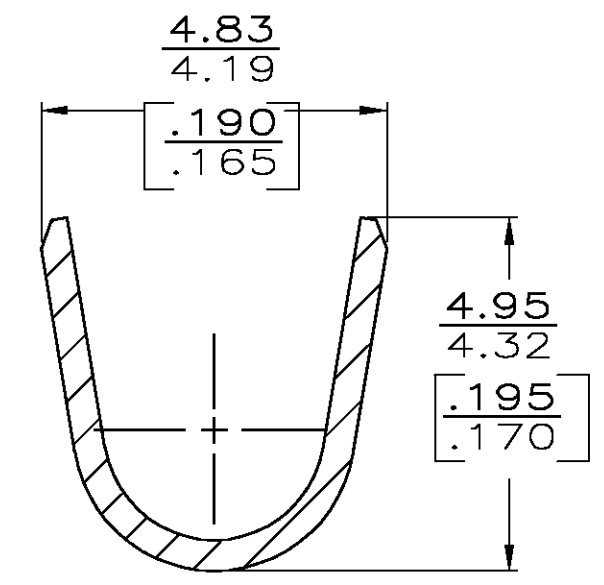
- 1 CONTINUOUS STRIP ON REELS
- 2 TIN PL 0.002032 [.000080] MIN THK.



VIEW A-A  
SCALE 10:1



SECTION B-B  
SCALE 10:1



SECTION C-C  
SCALE 10:1

2.29-3.30 [.090-.130] DIA	0.3-0.8mm <sup>2</sup> [22-18] AWG	0.813 [.032]	TIN $\Delta$	63609-2
INSULATION RANGE	WIRE SIZE	MATING TAB THK $\pm 0.025$ [.001]	FINISH	PART NO 63609-1

F OR O	3.30 [.130]	5.59 [.220]	F	2.29 [.090]	1.42 [.056]	0.8mm <sup>2</sup> [18]
					1.30 [.051]	0.5mm <sup>2</sup> [20]
					1.24 [.049]	0.3mm <sup>2</sup> [22]
TYPE	WIDTH	STRIP LENGTH $\pm 0.38$ $\pm [.015]$	TYPE	WIDTH	HEIGHT $\pm 0.051$ [ $\pm 0.002$ ]	WIRE
INSUL BARREL CRIMP			WIRE BARREL CRIMP			

THIS DRAWING IS A CONTROLLED DOCUMENT.

DWN JR RUTH 4/3/91	 Tyco Electronics Corporation Harrisburg, PA 17105
CHK P FORTNEY 4/3/91	
APVD C MEYERS 4/3/91	
PRODUCT SPEC	
APPLICATION SPEC	NAME RECEPTACLE, FASTON, 6.35 [.250] SERIES
WEIGHT	SIZE A3
CUSTOMER DRAWING	CAGE CODE 00779
	DRAWING NO C-63609
	RESTRICTED TO
	SCALE 5:1
	SHEET 1 OF 1
	REV B